

# Technical data sheet



## Product features

### Bain marie electric GN 3-1/1 controllers on shorter side

<b>Model</b>	<b>SAP Code</b>	00005483
--------------	-----------------	----------



- Drain: Yes
- Material: Stainless steel
- Protection of controls: IPX4
- Maximum device temperature [°C]: 90

<b>SAP Code</b>	00005483	<b>Power electric [kW]</b>	2.100
<b>Net Width [mm]</b>	1310	<b>Loading</b>	230 V / 1N - 50 Hz
<b>Net Depth [mm]</b>	750	<b>Number of GN / EN</b>	3
<b>Net Height [mm]</b>	905	<b>GN / EN size in device</b>	GN 1/1
<b>Net Weight [kg]</b>	54.00	<b>GN device depth</b>	200

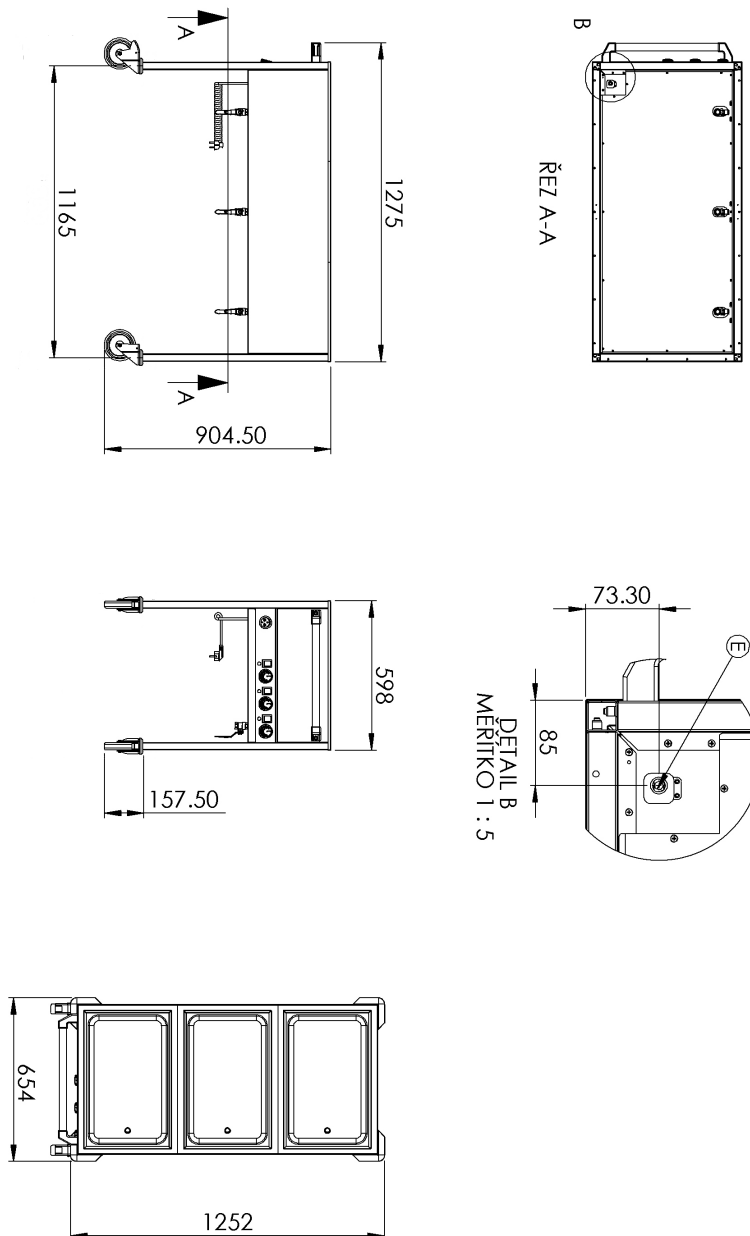
# Technical data sheet

Technical drawing



## Bain marie electric GN 3-1/1 controllers on shorter side

Model	SAP Code	00005483
-------	----------	----------



# Technical data sheet



## Product benefits

### Bain marie electric GN 3-1/1 controllers on shorter side

Model

SAP Code

00005483

1

#### Deep-draft bathtubs

basins without sharp transitions, edges and corners

- easy maintenance
- perfect sanitation

2

#### Controlling each bath separately

variability of use

- possibility to keep different foods at different temperatures

3

#### All-stainless steel construction

harmless to health for contact with food  
robustness

- perfect sanitation
- long service life

4

#### Drain valve under the bathtub

safer placement of the drain valve

- valve positioning prevents unintentional contact and possible scalding

# Technical data sheet



## Technical parameters

### Bain marie electric GN 3-1/1 controllers on shorter side

<b>Model</b>	<b>SAP Code</b>	00005483
--------------	-----------------	----------

**1. SAP Code:**

00005483

**2. Net Width [mm]:**

1310

**3. Net Depth [mm]:**

750

**4. Net Height [mm]:**

905

**5. Net Weight [kg]:**

54.00

**6. Gross Width [mm]:**

750

**7. Gross depth [mm]:**

1310

**8. Gross Height [mm]:**

1010

**9. Gross Weight [kg]:**

55.00

**10. Device type:**

Electric unit

**11. Construction type of device:**

On wheels

**12. Power electric [kW]:**

2.100

**13. Loading:**

230 V / 1N - 50 Hz

**14. Protection of controls:**

IPX4

**15. Exterior color of the device:**

Stainless steel

**16. Material:**

Stainless steel

**17. Maximum device temperature [°C]:**

90

**18. Minimum device temperature [°C]:**

30

**19. Adjustable feet:**

No

**20. Drain:**

Yes

**21. Number of GN / EN:**

3

**22. GN / EN size in device:**

GN 1/1

**23. GN device depth:**

200

**24. Cross-section of conductors CU [mm<sup>2</sup>]:**

0,5

- Výkon (kW): 2,4-3,3 (230 V)